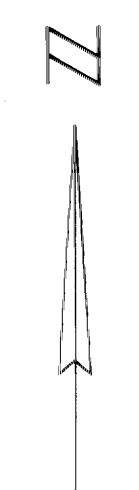


NOTE
 DASH LINES + NUMBERS IN BLS 7+9
 ARE ORIG PLAT 6-51 + RALT 8-97
 SOLID LINES + NUMBERS IN BLS 7+9
 78 + 9C ARE LOTS DEEDED BY O.A.S

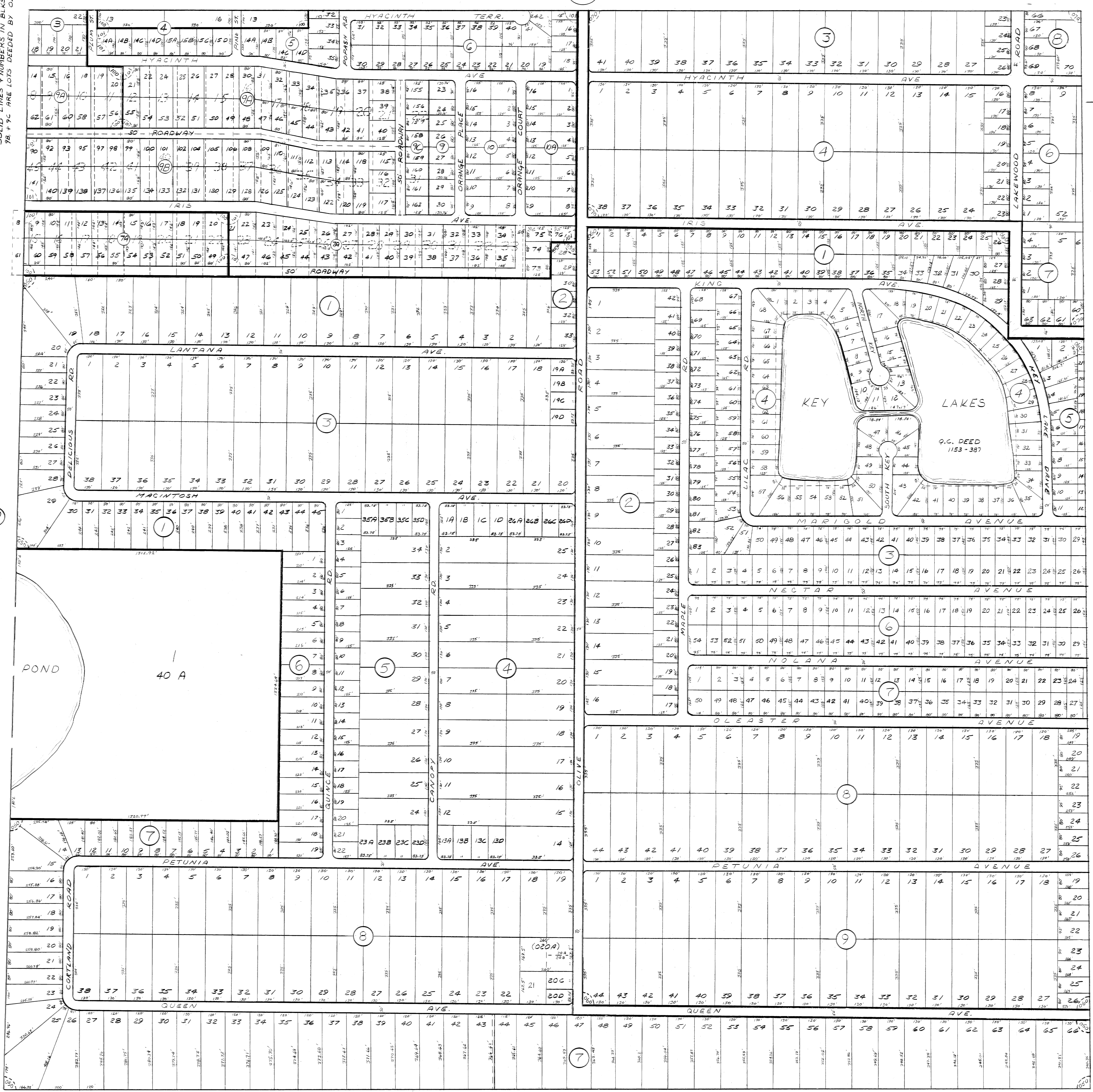
49.C



SUBDIVISIONS

SUB NO	NAME	PB	PG
050	ORANGE BLOSSOM EST UNIT 5	6	40
060		6	35
070		7	26
100		10	51
101*	REPLAT PARTS OF 5-710	8	37

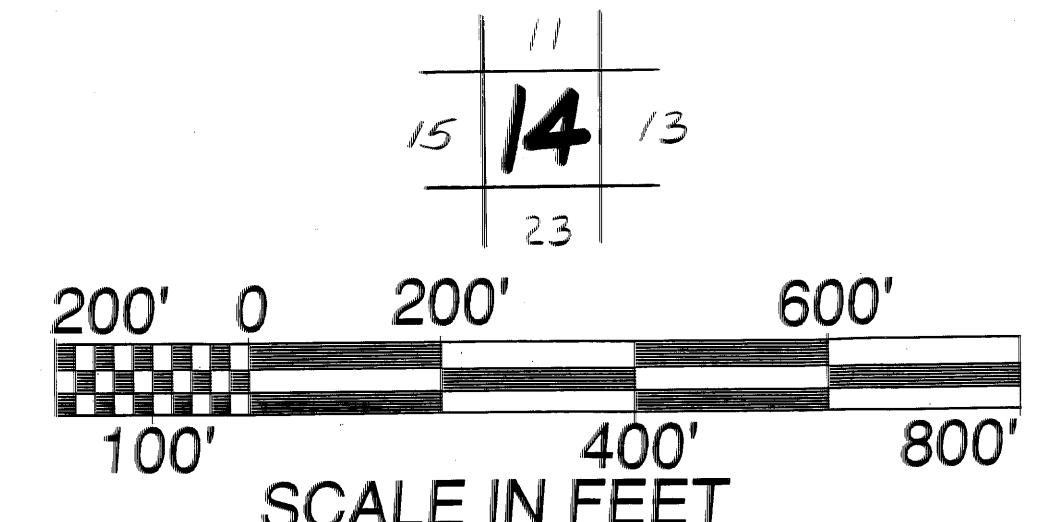
ALL UNDER SEC 24-35-28



29-A

50-A

50.C



HIGHLANDS COUNTY FLORIDA		G.V. DRAWN	REVISIONS
SECTION 4		CHECKED	DESCRIPTION
TWP 35 S	RGE. 28 E	DATE	DATE
		SCALE	50 B

NOTE: INFORMATION SHOWN HEREON WAS COMPILED FROM THE BEST AVAILABLE SOURCES AND IS NOT INTENDED FOR USE IN SURVEYS OR OTHER TRANSFERS OF ANY TYPE.